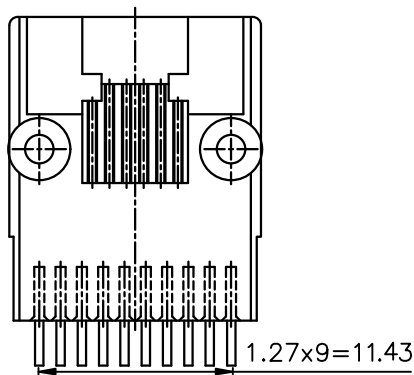


PCB LAYOUT/TOP VIEW



Electrical:

- 1.Voltage Rating: 125 Vac Rms
- 2.Current Rating: 1.5 Amp
- 3.Contact Resistance: 40 Milliohms Max
- 4.Insulation Resistance: 1000 Megohms Min@500 Vdc
- 5.Dielectric Strength: 1000 Vac Rms 60Hz,1Min

Mechanical:

- 1.Operating: 750 Cycles Min

Environmental:

- 1.Storage: -40°C To +85°C
- 2.Opertion: -20°C To +75°C

Mates With Modular Plug Conforming To FCC Part 68,Subpart F

Notes:

MATERIALS

HOUSING: HIGH TEMP THERMOPLASTIC FLAMMABILITY UL 94V-0

CONTACTS: PHOSPHOR BRONZE

PLATING: GOLD PLATING OVER NICKEL IN CONTACT
TIN PLANTING OVER NICKEL IN SOLDER AREA

TOLERANCE UNLESS OTHERWISE SPECIFIED		CUSTOMER COPY			Coorle Technology			
LINER	ANGLES	PROJECTION			PROD. SIDE ENTRY PCB JACK DESCRIP. (10P10C SMT圆柱脚)			
0 ± 0.50	± 3'				PROD. NUMBER			
.0 ± 0.38					SIZE REV. Http://www.coorle.com Tel: 0769-81585156 Fax: 0769-81605156			
.00 ± 0.25								
DESIGN	Wesley Yu	7/02/09	UNIT	SCALE	SIZE	REV.		
APPRO.			MM	/	A4	B		

ROHS